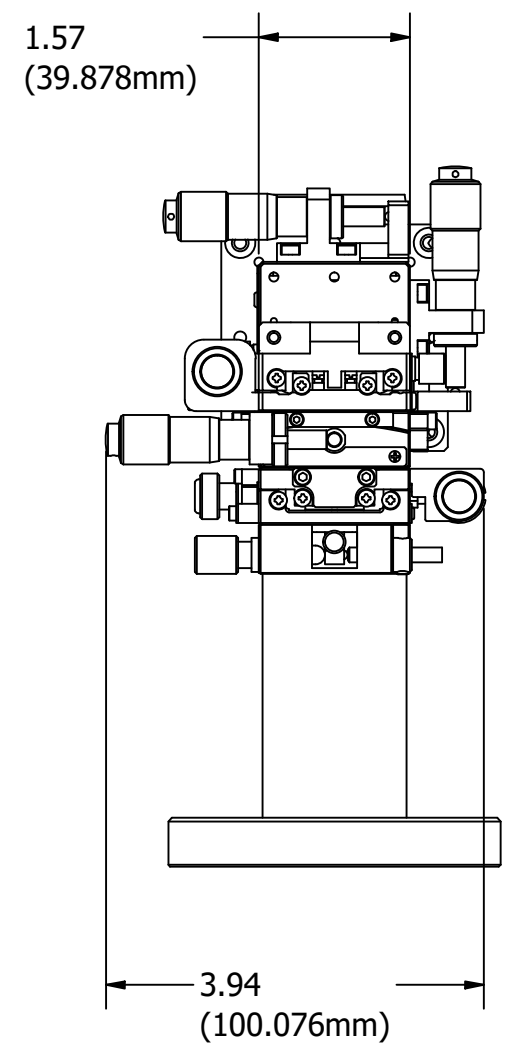
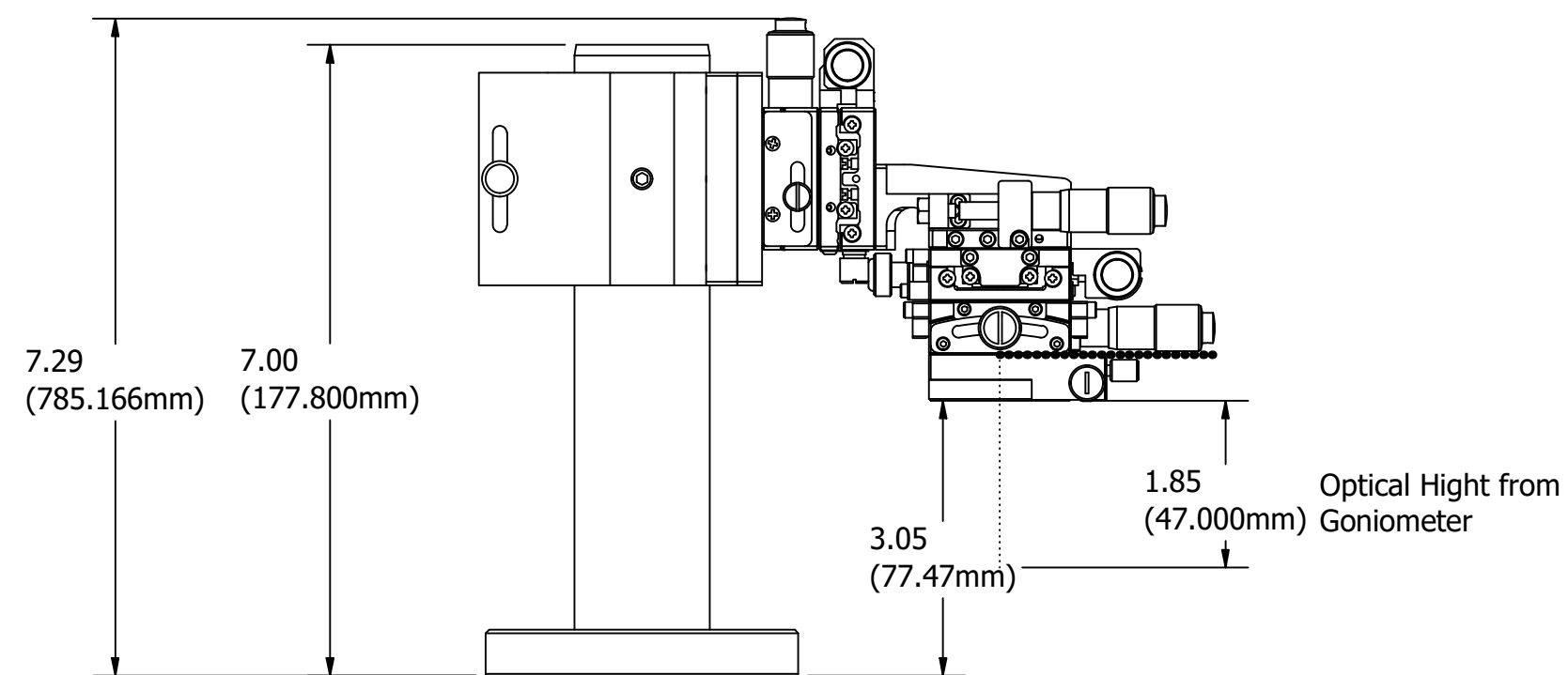
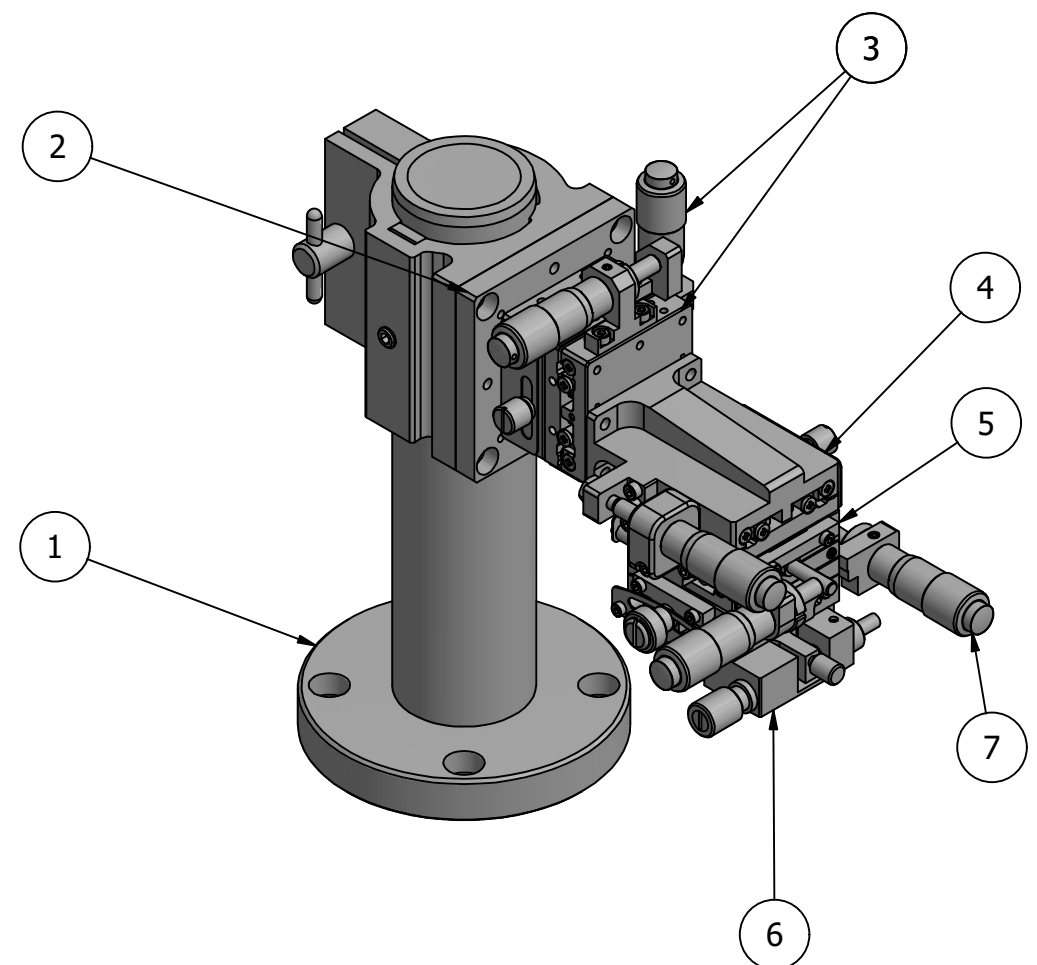
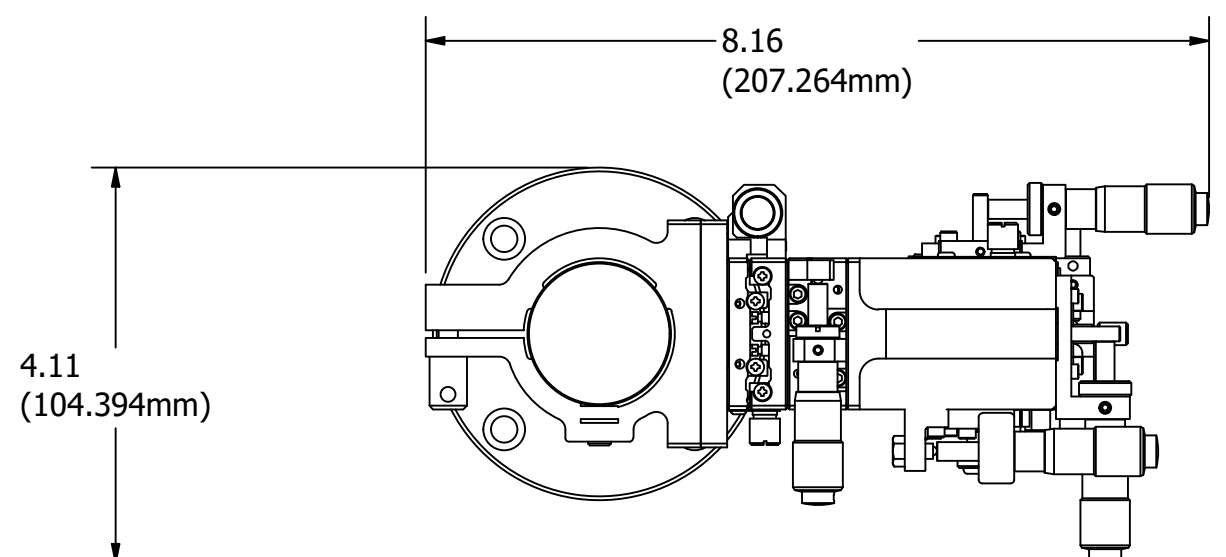


		PARTS LIST		
ITEM	QTY	PART NUMBER	DESCRIPTION	
1	1	POSB-177UN	DAMPENED ROD 177MM HEIGHT WITH M4 BRACKET	
2	1	SP-133	ADAPTER PLATES (SP-133)	
3	2	TSD-401SZ	40X40MM EXC BEARING, STEEL, Z-AXIS STAGE, (VERTICAL PLATFORM/BASE) SIDE MICROMETER, +/-6.5MM, M3 THREADS	
4	1	TSD-403L	40X40MM EXC BEARING, STEEL, Z-AXIS STAGE, (VERTICAL PLATFORM/HORIZONTAL BASE) SIDE MICROMETER, +/-6.5MM, M3 THREADS	
5	1	GOHT-40A75BMS	40X40MM GONIOMETER, EXC BEARINGS, 1-AXIS, +/-4.5, 75MM AXIS HT, MICROMETER, M3 THD	
6	1	KSP-406FP	40MM DIAMETER, BRASS, LAPPED-SURFACE BEARING ROTATION STAGE, 360 DEG MANUAL ROTATION, +/-5 DEG FINE ADJUSTMENT, HEX SCREW DRIVE, M3 THREADS	
7	1	GOHT-40A60BMS	40X40MM GONIOMETER, EXC BEARINGS, 1-AXIS, +/-5.5, 60MM AXIS HT, MICROMETER, M3 THD	



THIS DOCUMENT CONTAINS PROPRIETARY INFORMATION OWNED BY OPTOSIGMA CORP. AND MAY NOT BE USED, DUPLICATED OR DISCLOSED IN WHOLE OR IN PART FOR ANY PURPOSE INCLUDING DESIGN, MANUFACTURE OR PROCUREMENT WITHOUT THE WRITTEN PERMISSION OF OPTOSIGMA CORP.

	<b>TOLERANCES</b> <small>FRACTIONAL ±0.01</small> <small>ANGULAR ±0.5°</small>		DRAWN BY: sean DATE: 4/17/2023	MATERIAL:	Contacts: USA: sales@optosigma.com Europe: sales@optosigma-europe.com	REV.
	0..X ±.03 0..XX ±.01 0..XXX ±.005 0..XXXX ±.0005	CHECKED BY:	DATE:	FINISH:	SCALE:	FILE NAME:
		APPROVED BY:	DATE:	SCALE:	FILE NAME:	Assembly:
				Vertical Mounted	Vertical mounting assembly	using Dampening Rod
				Assembly	using Dampening Rod	1 of 1