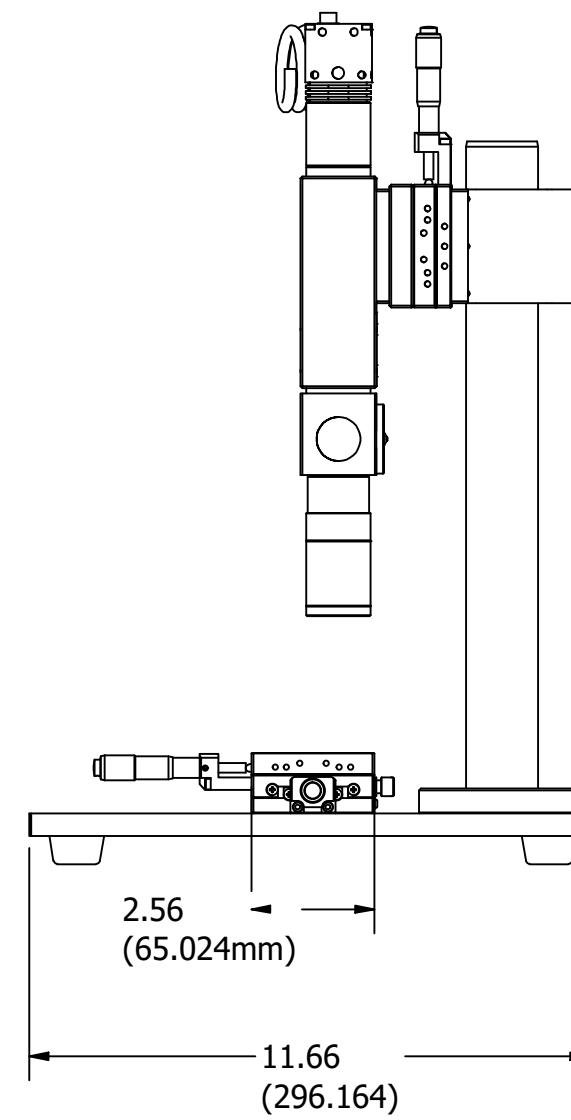
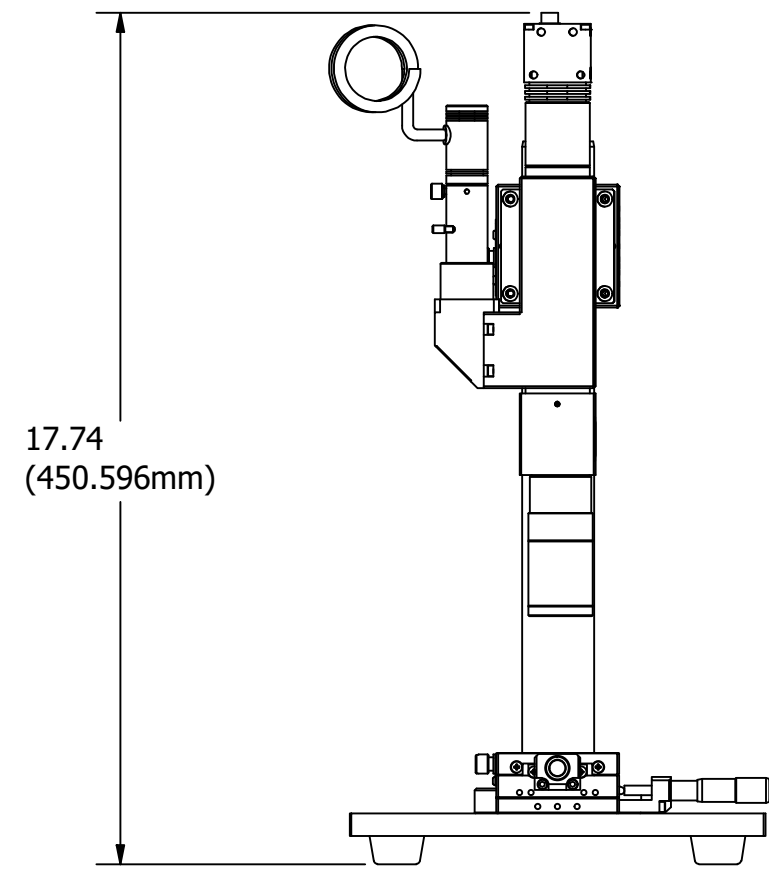
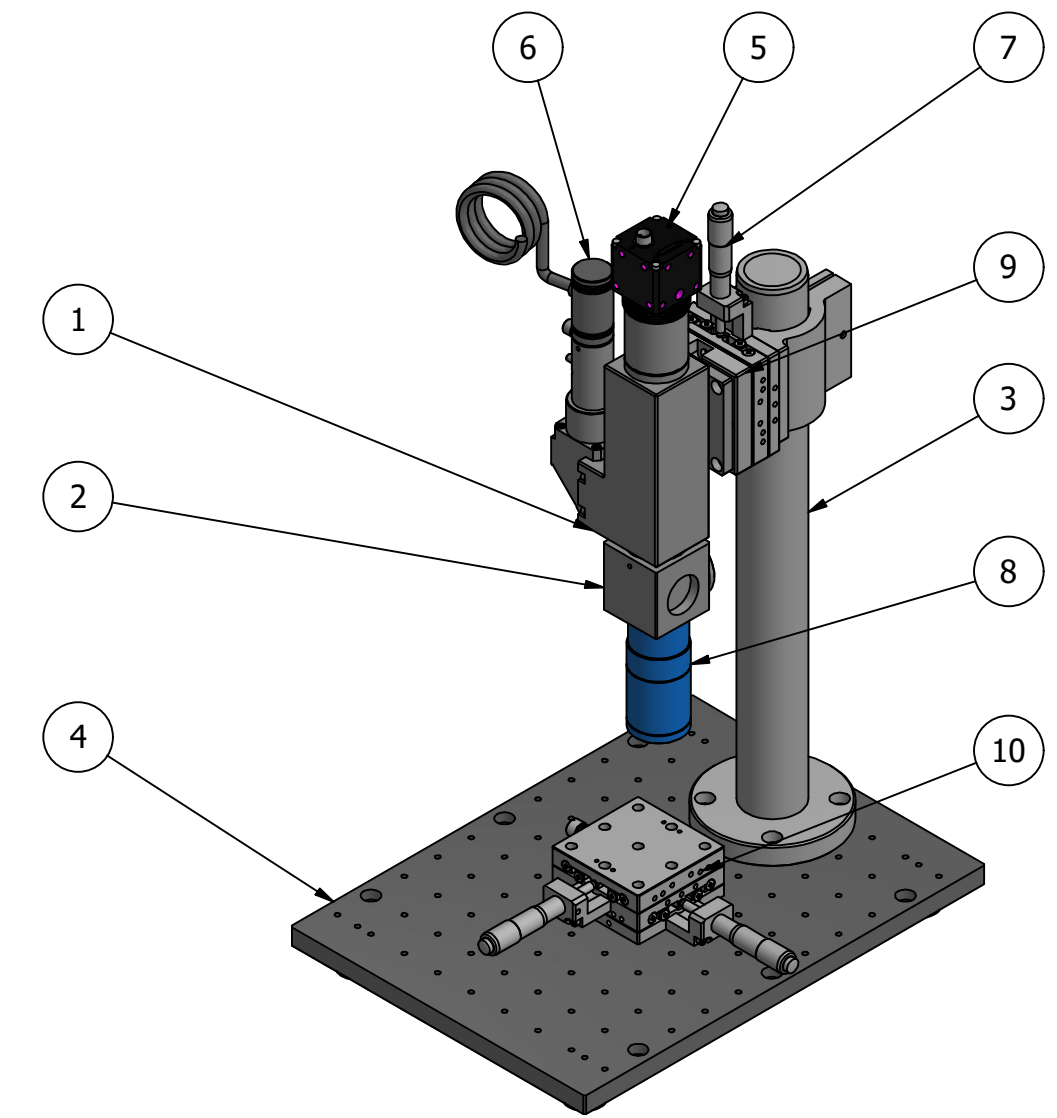
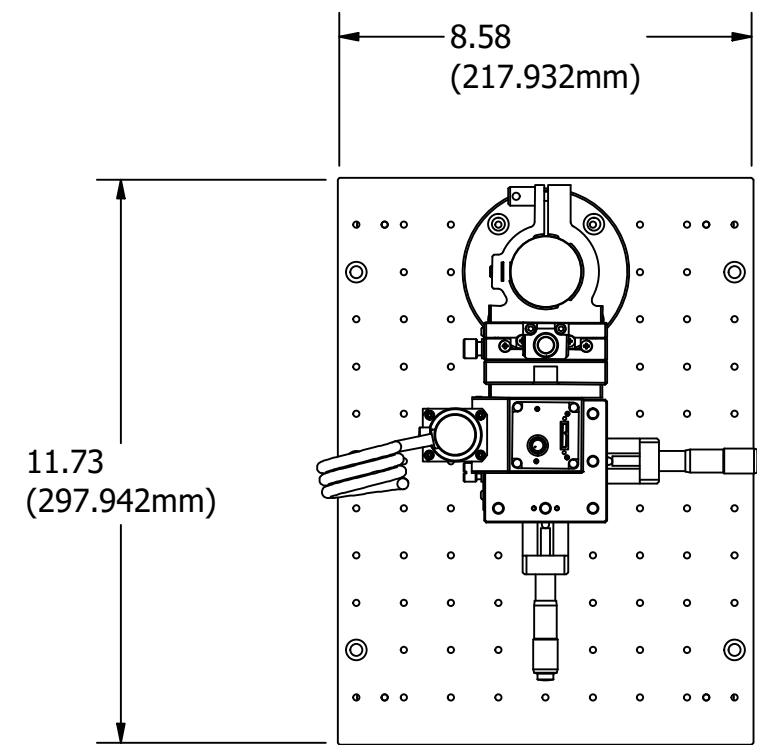


PARTS LIST			
ITEM	QTY	PART NUMBER	DESCRIPTION
1	1	OUCI-2	VISIBLE-LIGHT MICROSCOPE BODY WITH COAXIAL ILLUMINATION
2	1	DIMC-532R	532NM LASER INDUCTION DICHOIC CUBE FOR OUCI
3	1	POSB-355UN	DAMPENED ROD 355MM HEIGHT WITH M4 BRACKET
4	1	PS-S	POLE STAND WITH 32MM DIAMETER POLE AND 300 X 220 BASE
5	1	STC-MCS122BU3V	12.0 MEGA PIXEL COLOR CAMERA, C-MOUNT, USB3.0 SUPER SPEED INTERFACE
6	1	SLSI-22W	WHITE LED SPOT ILLUMINATION SOURCE
7	1	TSD-651C25-M6	65X65MM EXC BEARING, STEEL, X-AXIS STAGE, CENTER MICROMETER, +/-12.5MM, M6 THREADS
8	1	PAL-20-NIR-LC00	INFRARED (NIR) OBJECTIVE LENS
9	1	SP-OUCI-65X65	Adapter plate for OUCI-2
10	1	TSD-652C25-M6	65X65MM EXC BEARING, STEEL, XY-AXIS STAGE, CENTER MICROMETER, +/-12.5MM, M6 THREADS



THIS DOCUMENT CONTAINS PROPRIETARY INFORMATION OWNED BY OPTOSIGMA CORP. AND MAY NOT BE USED, DUPLICATED OR DISCLOSED IN WHOLE OR IN PART FOR ANY PURPOSE INCLUDING DESIGN, MANUFACTURE OR PROCUREMENT WITHOUT THE WRITTEN PERMISSION OF OPTOSIGMA CORP.

	TOLERANCES <small>FRACTIONAL ±0.01</small> <small>ANGULAR ±0.5°</small>		DRAWN BY: sean DATE: 5/5/2023	MATERIAL:	Contacts: USA: sales@optosigma.com Europe: sales@optosigma-europe.com	REV.
	0..X ±.03 0..XX ±.01 0..XXX ±.005 0..XXXX ±.0005	CHECKED BY:	DATE:	FINISH:	SCALE:	FILE NAME: Inspection System
PAGE 1 of 1						Assembly: OUCI Inspection Station