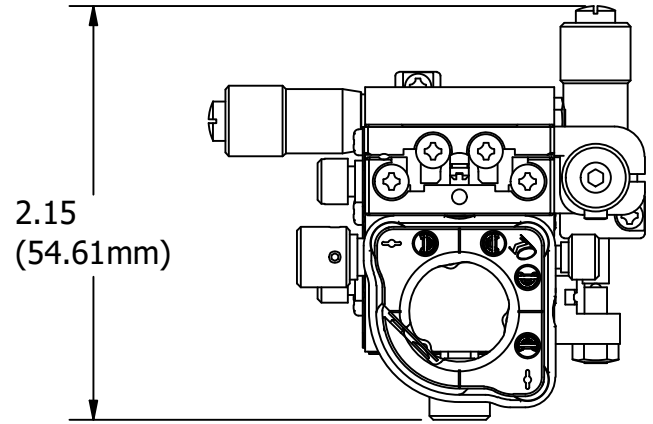


1 2 3 4 5 6

A

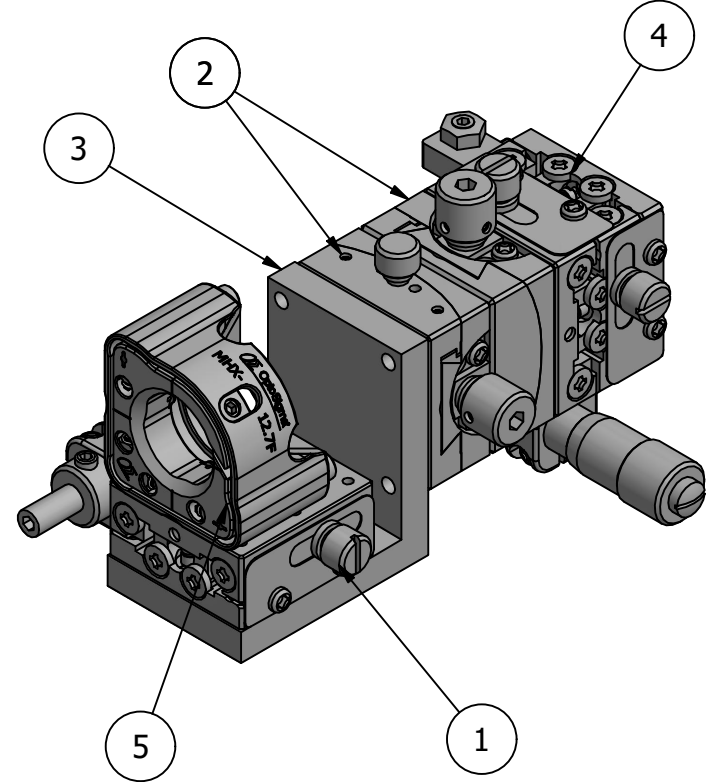
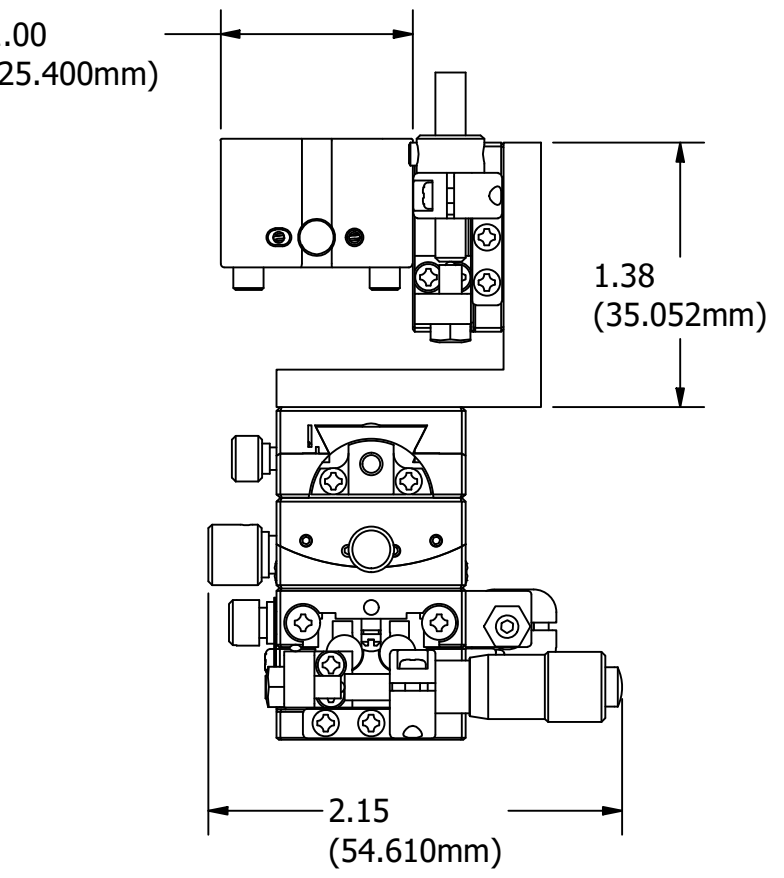
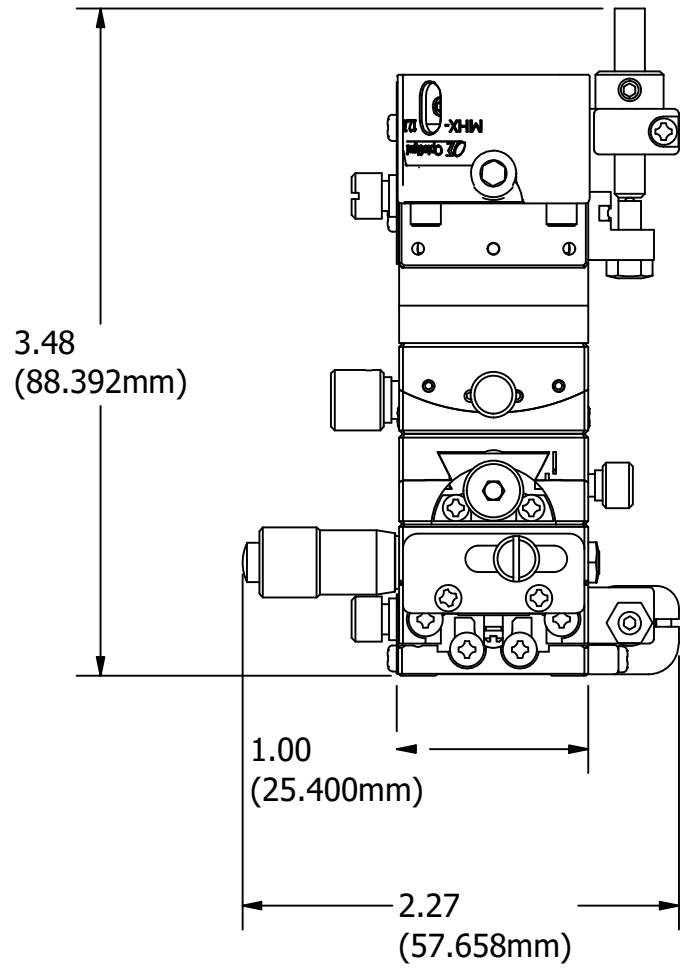


B

C

C

D



PARTS LIST			
ITEM	QTY	PART NUMBER	DESCRIPTION
1	1	TSD-251SFP	25X25MM EXC BEARING, STEEL, X-AXIS STAGE, SIDE HEX SCREW, +/-3MM, M2 THREADS
2	2	GOH-25A18	25X25MM GONIOMETER, BRASS DOVETAIL, 1-AXIS, +/-20 DEG, 18MM AXIS HT, WORM-GEAR, M2 THD
3	1	LBR-2535	METRIC L BRACKET FOR 25MM STAGES
4	1	TSD-252S	25X25MM EXC BEARING, STEEL, XY-AXIS STAGE, SIDE MICROMETER, +/-3MM, M2 THREADS
5	1	MHX-12.7F	12.7-MM MIRROR MOUNT, STAINLESS STEEL, HIGH-STABILITY, FRONT-LOADING, 3 HEX ADJUSTERS

THIS DOCUMENT CONTAINS PROPRIETARY INFORMATION OWNED BY OPTOSIGMA CORP. AND MAY NOT BE USED, DUPLICATED OR DISCLOSED IN WHOLE OR IN PART FOR ANY PURPOSE INCLUDING DESIGN, MANUFACTURE OR PROCUREMENT WITHOUT THE WRITTEN PERMISSION OF OPTOSIGMA CORP.

 www.optosigma.com	TOLERANCES FRACTIONAL ±.01" ANGULAR ±0.5°	DRAWN BY: sean DATE: 3/30/2023	MATERIAL:	Contacts: USA: Sales@optosigma.com Europe: Sales@optosigma-europe.com	REV.
	0.X ±.03 0.XX ±.01 0.XXX ±.005 0.XXXX ±.0005	CHECKED BY: APPROVED BY:	DATE: DATE:	FINISH: SCALE:	FILE NAME: Mirror Holder Stack Assembly.idw Assembly: Mirror Holder Stack

1 2 3 4 5 6