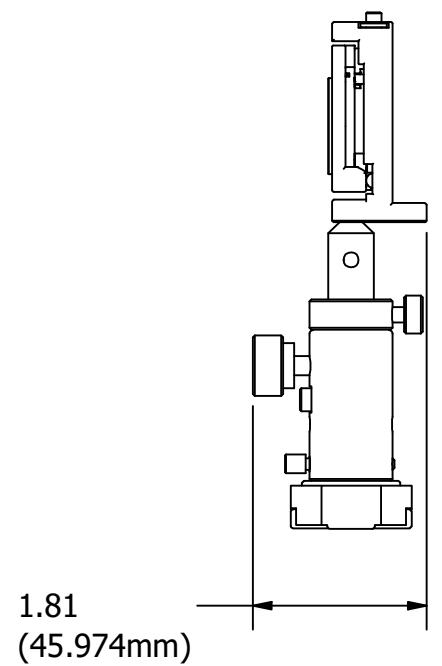
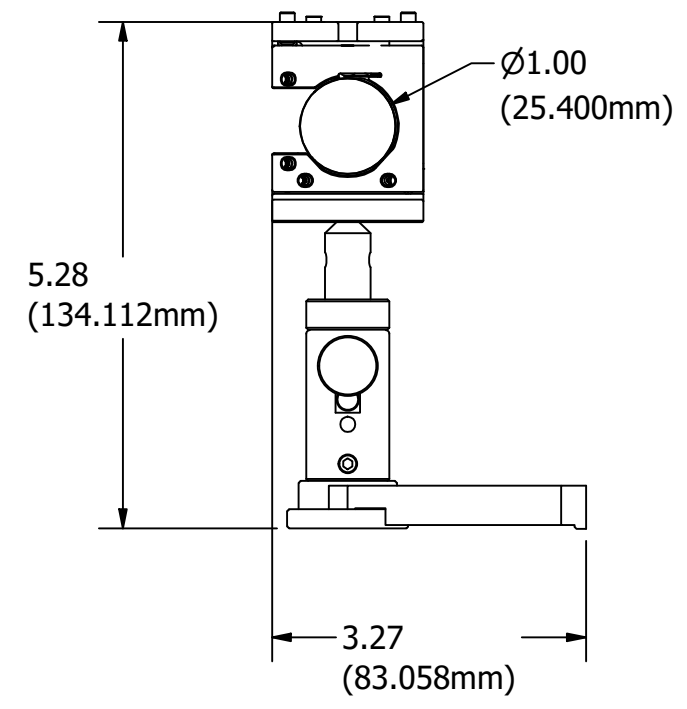
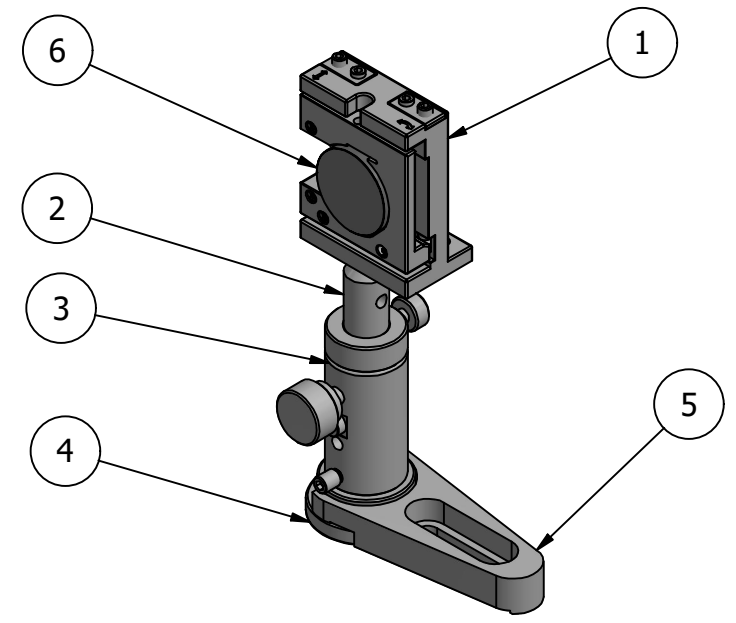
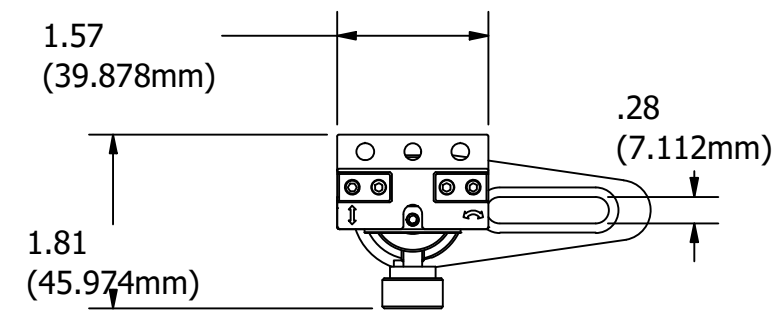


1 2 3 4 5 6

PARTS LIST				
ITEM	QTY	PART NUMBER	DESCRIPTION	
1	1	MHV-25.4L-F	25.4-MM, TOP ADJUST MIRROR MOUNT, CLEAR EDGE APERTURE, STAINLESS STEEL, FRONT-LOADING, 2 LOCKING HEX ADJUSTERS	
2	1	ROC-12-60	12MM CHAMFERED POST M4 60MM HEIGHT	
3	1	BRS-12-40	HIGH STABILITY BALL PLUNGER POST HOLDER METRIC 40MM HEIGHT	
4	1	PSTM-12.5-M16	ADAPTER (M16) FOR POST-HOLDERPEDESTAL (SERIES RS AND BRS)	
5	1	PSCS-11.5	PEDESTAL FORK CLAMP, STAINLESS STEEL, 25.4MM SLOT, M6 SCREW	
6	1	TFHSM-25.4C06-532	SUPER MIRROR 25.4MM DIAMETER 532NM WAVELENGTH	



THIS DOCUMENT CONTAINS PROPRIETARY INFORMATION OWNED BY OPTOSIGMA CORP. AND MAY NOT BE USED, DUPLICATED OR DISCLOSED IN WHOLE OR IN PART FOR ANY PURPOSE INCLUDING DESIGN, MANUFACTURE OR PROCUREMENT WITHOUT THE WRITTEN PERMISSION OF OPTOSIGMA CORP.



TOLERANCES		DRAWN BY	DATE	MATERIAL	Contacts:		REV.
FRACTIONAL ±.01 ANGULAR ±0.5°		sean	4/6/2023		USA: sales@optosigma.com Europe: sales@optosigma-europe.com		
0.X ±.03	CHECKED BY	DATE	FINISH	FILE NAME		Assembly:	PAGE
0.XX ±.01	APPROVED BY	DATE	SCALE	MHV mount with post		Top Adjust Mirror mount and post	1 of 1
0.XXX ±.005							
0.XXXX ±.0005							

1 2 3 4 5 6