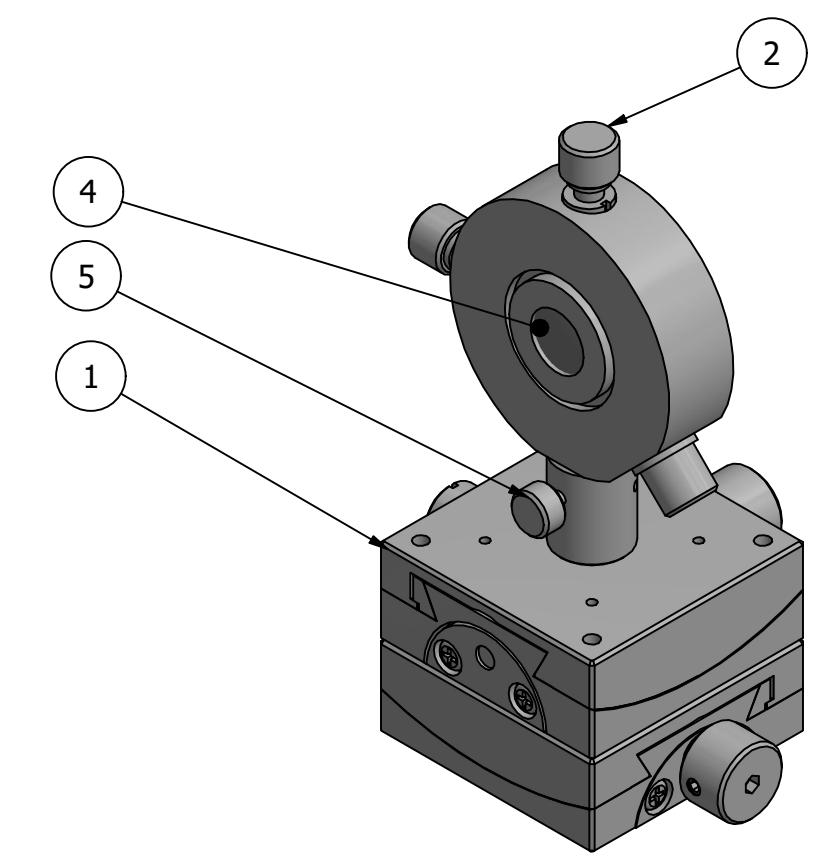
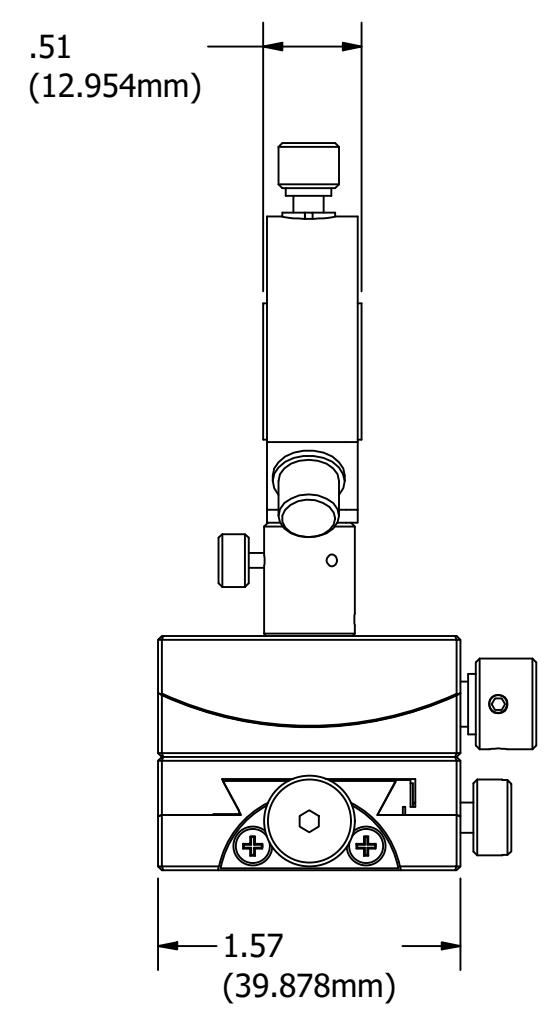


PARTS LIST			
ITEM	QTY	PART NUMBER	DESCRIPTION
1	1	GOH-40B35	40X40MM GONIOMETER, BRASS DOVETAIL, 2-AXIS, +/-20 DEG, 35MM AXIS HT, WORM-GEAR, M3 THD
2	1	LHCM-12.7	TWO-AXIS LENS HOLDER
3	1	RO-6-15	6MM POST M4 15MM HEIGHT
4	1	SLSQ-12.7-50P	PLANO CONVEX LENS SYNTHETIC FUSED SILICA 12.7MM DIAMETER 50MM FOCAL LENGTH
5	1	RS-6-15	SMALL POST HOLDER METRIC 15MM HEIGHT



THIS DOCUMENT CONTAINS PROPRIETARY INFORMATION OWNED BY OPTOSIGMA CORP. AND MAY NOT BE USED, DUPLICATED OR DISCLOSED IN WHOLE OR IN PART FOR ANY PURPOSE INCLUDING DESIGN, MANUFACTURE OR PROCUREMENT WITHOUT THE WRITTEN PERMISSION OF OPTOSIGMA CORP.

	<b>TOLERANCES</b> <small>FRACTIONAL ±.01*</small> <small>ANGULAR ±0.5°</small>		<small>DRAWN BY</small> sean	<small>DATE</small> 4/14/2023	<small>MATERIAL</small> 	<small>Contacts:</small> USA: sales@optosigma.com Europe: sales@optosigma-europe.com	<small>REV.</small> 
	<small>0.X</small> ±.03 <small>0.XX</small> ±.01 <small>0.XXX</small> ±.005 <small>0.XXXX</small> ±.0005	<small>CHECKED BY</small> 	<small>DATE</small> 	<small>FINISH</small> 			
	<small>APPROVED BY</small> 	<small>DATE</small> 	<small>SCALE</small> 	<small>FILE NAME</small> 12.7mm Optic holder on 2-axis goniometer	<small>Assembly:</small> 2-axis Optomechanic on 2-axis Goniometer	<small>PAGE</small> 1 of 1	