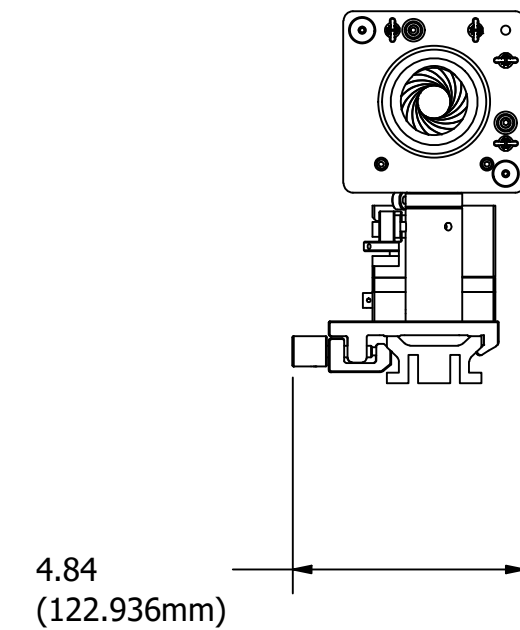
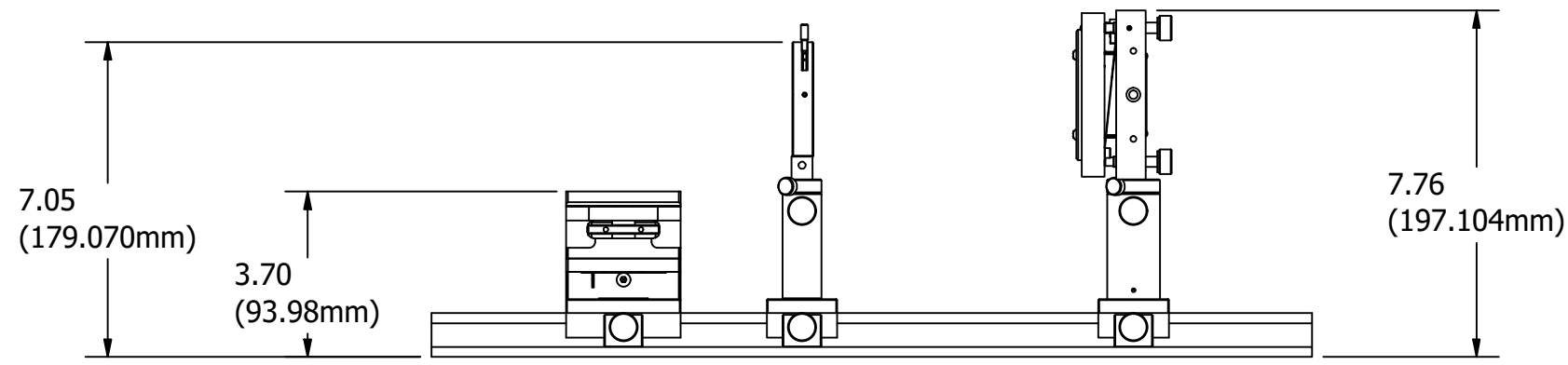
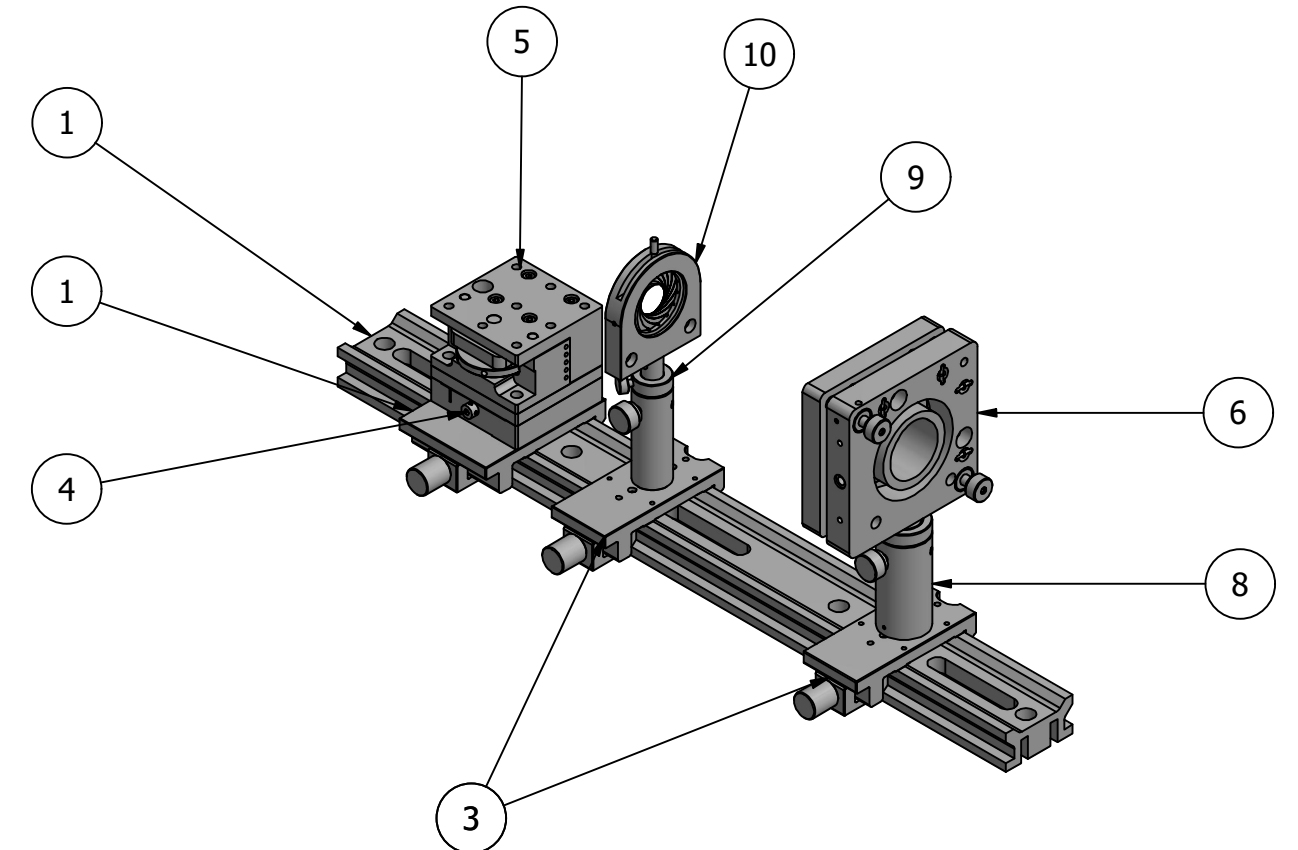
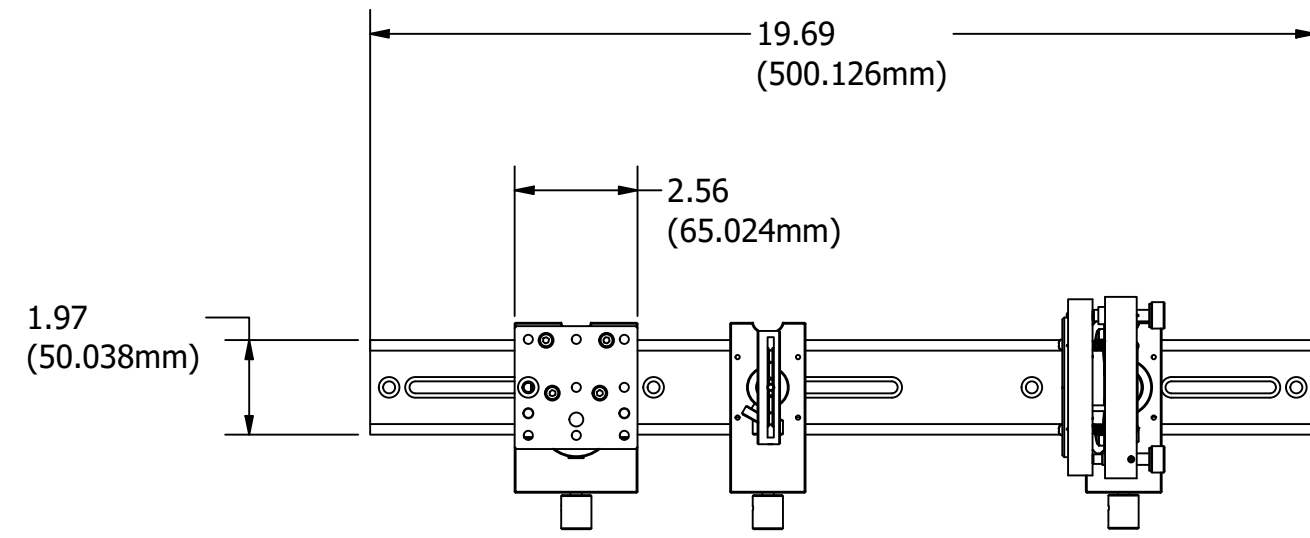


PARTS LIST				
ITEM	QTY	PART NUMBER (IMPERIAL)	PART NUMBER (METRIC)	DESCRIPTION
1	1	OBT-500SUU	OBT-500SH	MEDIUM LOW PROFILE OPTICAL RAIL 500MM
2	1	CAAN-65LSUU	CAAN-65LSEE	65MM-LONG VIEWPORT CARRIER FOR MEDIUM 50MM WIDE RAILS
3	2	CAAN-40LS	---	40MM-LONG VIEWPORT CARRIER FOR MEDIUM 50MM WIDE RAILS, M4 THREAD
4	1	TASB-651UU	TASB-651-M6	65X65MM DOVETAIL BEARING, BRASS, X-AXIS STAGE, CENTER LEADSCREW, +/-12.5MM
5	1	TASB-653UU	TASB-653-M6	65X65MM DOVETAIL BEARING, BRASS, Z-AXIS STAGE, (HORIZONTAL PLATFORM/BASE) CENTER LEADSCREW, +/-3.5MM
6	1	LAH-4TS-35	---	KINEMATIC LASER HOLDER FOR 35.1MM DIAMETER LASER WITH SCREW ADJUST
7	1	RO-20-60	---	20MM POST M6 60MM HEIGHT
8	1	RS-20-60	---	LARGE POST HOLDER METRIC 60MM HEIGHT
9	1	RS-12-60	---	MEDIUM POST HOLDER METRIC 60MM HEIGHT
10	1	IH-36R	---	IRIS DIAPHRAGM HOLDER FOR 36MM APERTURE WITH ROD



THIS DOCUMENT CONTAINS PROPRIETARY INFORMATION OWNED BY OPTOSIGMA CORP. AND MAY NOT BE USED, DUPLICATED OR DISCLOSED IN WHOLE OR IN PART FOR ANY PURPOSE INCLUDING DESIGN, MANUFACTURE OR PROCUREMENT WITHOUT THE WRITTEN PERMISSION OF OPTOSIGMA CORP.

	TOLERANCES <small>FRACTIONAL ±0.01</small> <small>ANGULAR ±0.5°</small>		DRAWN BY sean DATE 4/13/2023	MATERIAL FINISH	Contacts: USA: sales@optosigma.com Europe: sales@optosigma-europe.com	REV.
	0.X ±.03 0.XX ±.01 0.XXX ±.005 0.XXXX ±.0005	CHECKED BY APPROVED BY	DATE DATE	SCALE FILE NAME	Laser holder and Rail Rail and Carrier System	Assembly: