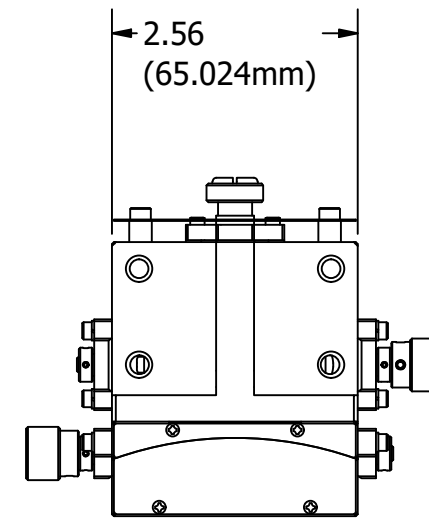
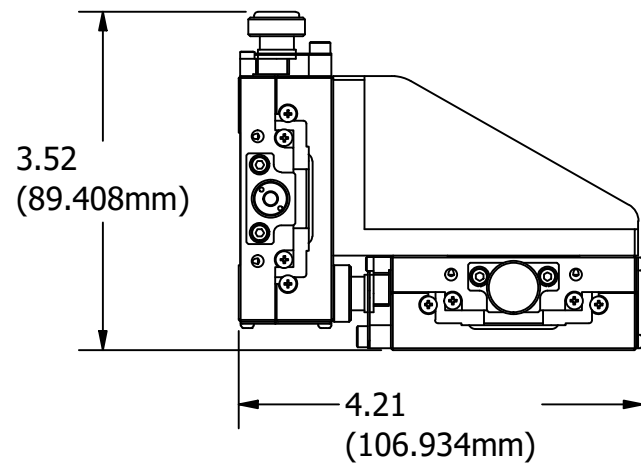
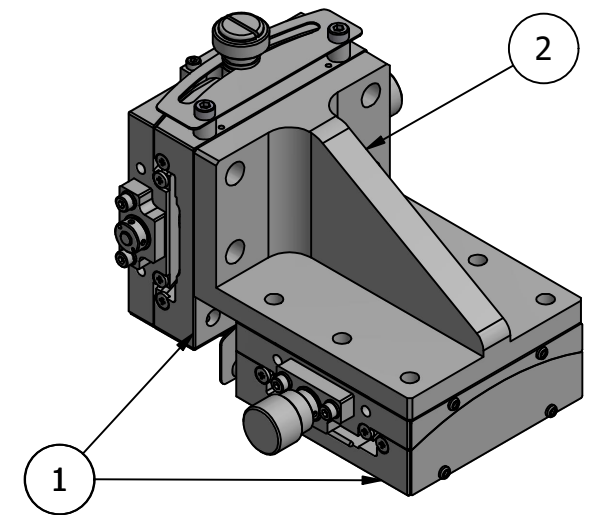
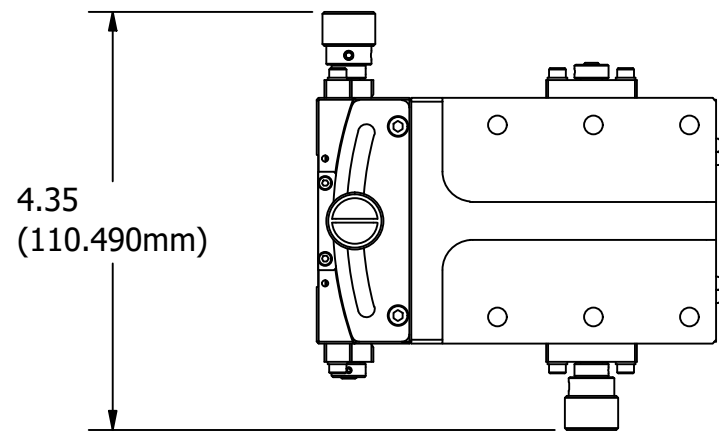


PARTS LIST				
ITEM	QTY	PART NUMBER (IMPERIAL)	PART NUMBER (METRIC)	DESCRIPTION
1	2	GOHT-65A75BUU	GOHT-65A75B-M6	65X65MM GONIOMETER, EXC BEARINGS, 1-AXIS, +/-15 DEG, 75MM AXIS HT, RIGHT-HANDED, WORM-GEAR,
2	1	BLZ-65UU	BLZ-65EE	Z Angle Bracket



THIS DOCUMENT CONTAINS PROPRIETARY INFORMATION OWNED BY OPTOSIGMA CORP. AND MAY NOT BE USED, DUPLICATED OR DISCLOSED IN WHOLE OR IN PART FOR ANY PURPOSE INCLUDING DESIGN, MANUFACTURE OR PROCUREMENT WITHOUT THE WRITTEN PERMISSION OF OPTOSIGMA CORP.



TOLERANCES <small>FRACTIONAL ±.01" ANGULAR ±0.5°</small>	<small>DRAWN BY</small> sean	<small>DATE</small> 3/27/2023	<small>MATERIAL</small>	<small>Contacts:</small> USA: Sales@optosigma.com Europe: Sales@optosigma-europe.com	<small>REV.</small>
	<small>CHECKED BY</small>	<small>DATE</small>	<small>FINISH</small>		
	<small>APPROVED BY</small>	<small>DATE</small>	<small>SCALE</small>	<small>FILE NAME</small> GOHT-65A75 Ortho.idw 5	<small>PART NUMBER</small> GOHT-65A75 Ortho