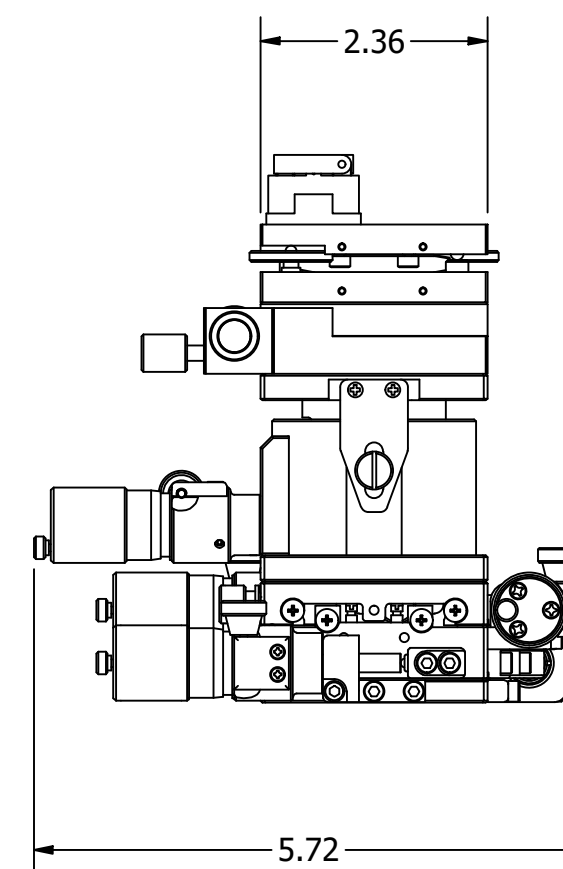
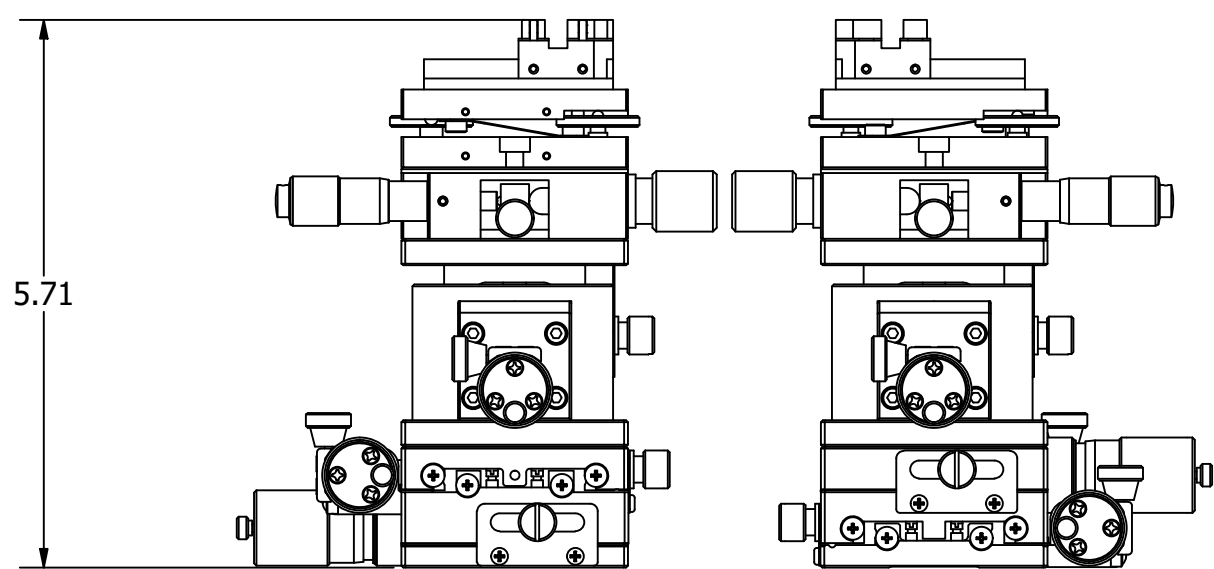
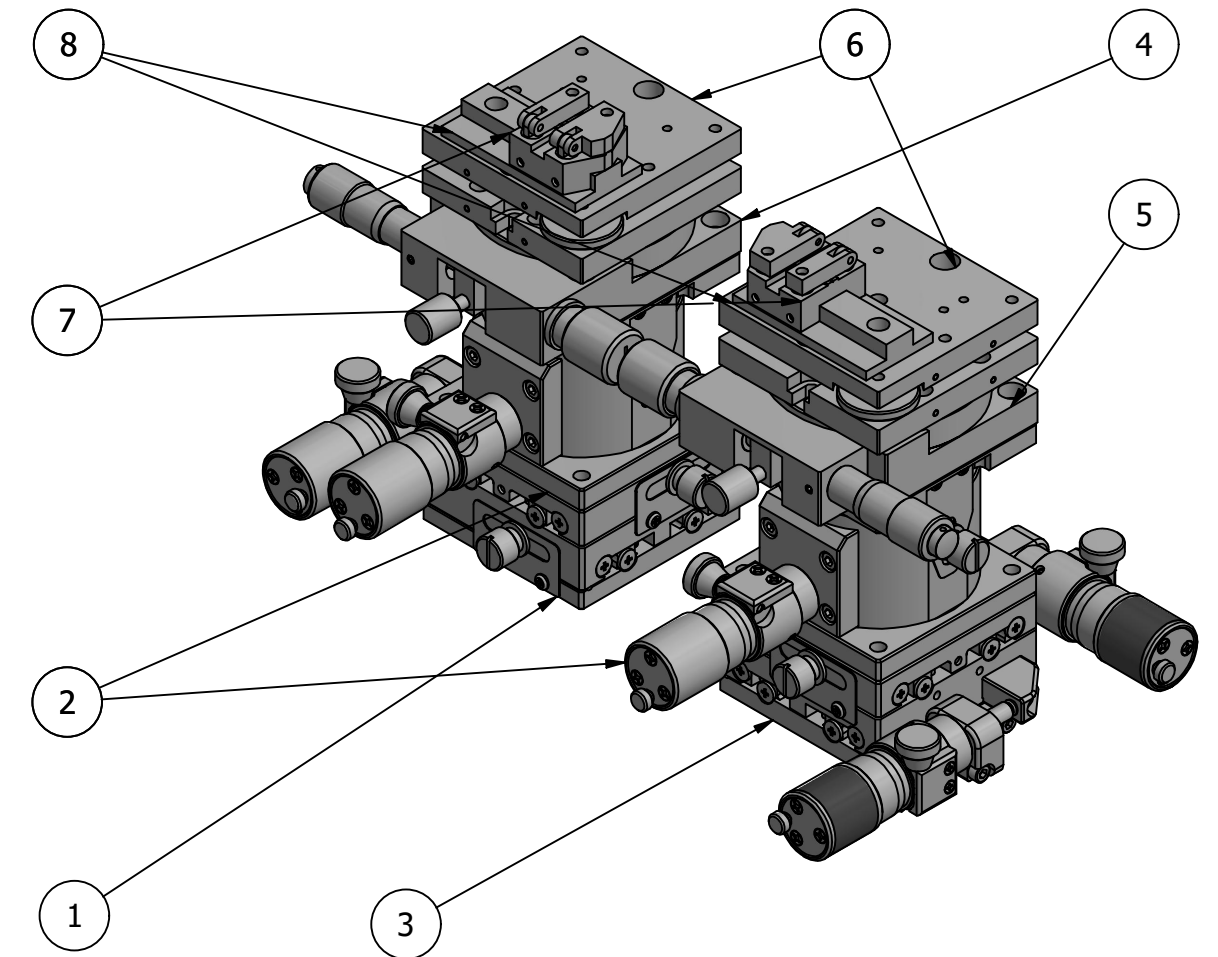
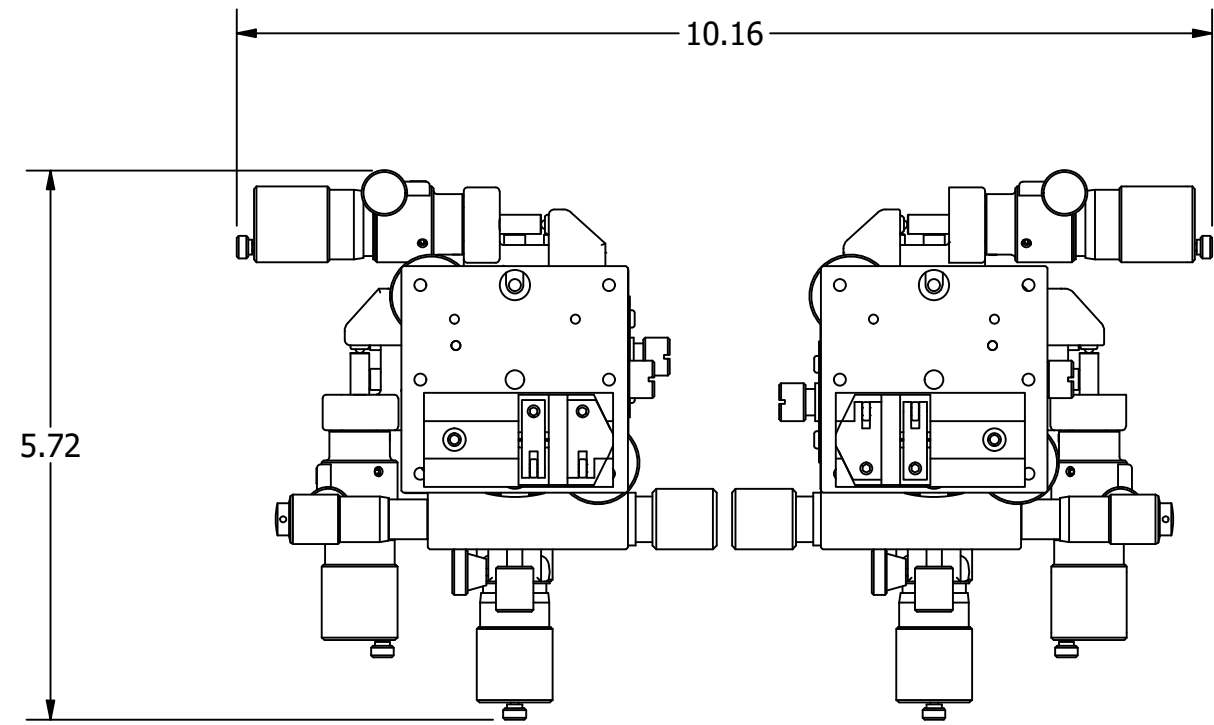


PARTS LIST			
ITEM	QTY	PART NUMBER	DESCRIPTION
1	1	TSD-602SWP	60X60MM EXC BEARING, STEEL, XY-AXIS STAGE, SIDE SUB-MICRON WORM-SCREW MICROMETER, +/-6.5MM, M4 THREADS
2	2	TSD-603WP	60X60MM EXC BEARING, STEEL, Z-AXIS STAGE, (HORIZONTAL PLATFORM/BASE) CENTER SUB-MICRON WORM-SCREW MICROMETER, +/-5MM, M4 THREADS
3	1	TSD-602SRWP	60X60MM EXC BEARING, STEEL, Z-AXIS STAGE, (HORIZONTAL PLATFORM/BASE) CENTER SUB-MICRON WORM-SCREW MICROMETER, +/-5MM, M4 THREADS
4	1	KSP-606M	60MM DIAMETER, BRASS, LAPPED-SURFACE BEARING ROTATION STAGE, 360 DEG MANUAL ROTATION, +/-5 DEG FINE ADJUSTMENT, MICROMETER DRIVE, M4 THREADS
5	1	KSP-606MR	60MM DIAMETER, BRASS, LAPPED-SURFACE BEARING ROT STAGE, 360 DEG MANUAL ROTATION, +/-5 DEG FINE ADJUSTMENT, MICROMETER DRIVE, M4 THREADS
6	2	AIS-60B	60X60MM, 2-AXIS KINEMATIC TILT STAGE, ALUMINUM, EDGE-KNOB ADJUSTMENT, +/-2-DEG., M4 THREADS
7	2	MFH-500	BARE FIBER OPTICS HOLDER FOR 500UM DIAMETER
8	2	MFH-ADP-1	BARE FIBER OPTICS HOLDER ADAPTER FOR MOUNTING FLAT SURFACE



THIS DOCUMENT CONTAINS PROPRIETARY INFORMATION OWNED BY OPTOSIGMA CORP. AND MAY NOT BE USED, DUPLICATED OR DISCLOSED IN WHOLE OR IN PART FOR ANY PURPOSE INCLUDING DESIGN, MANUFACTURE OR PROCUREMENT WITHOUT THE WRITTEN PERMISSION OF OPTOSIGMA CORP.

 www.optosigma.com	<b>TOLERANCES</b> FRACTIONAL #D ±.03 ANGULAR #D/° ±.01	DRAWN BY sean DATE 5/4/2023	MATERIAL FINISH	Contacts: USA: sales@optosigma.com Europe: sales@optosigma-europe.com	REV.
	0.X ±.03 0.XX ±.01 0.XXX ±.005 0.XXXX ±.0005	CHECKED BY APPROVED BY	DATE DATE	SCALE FILE NAME	Assembly: Fiber Alignment System