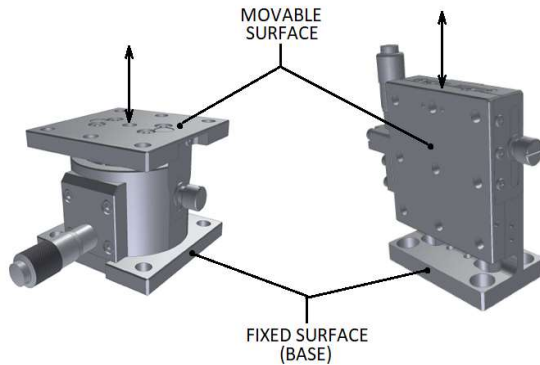


## Understanding Our Z-Axis (vertical travel) Stage Offering




OptoSigma® offers three main types of z-axis, vertical-travel stages, each providing different orientations of its mounting surfaces. Z stages have two mounting surfaces: one that is movable and one fixed. The movable surface provides mounting for the object that needs to be aligned or positioned. The fixed surface (or base) mounts to a work surface like a breadboard or optical table.



Each of these surfaces are oriented either horizontally or vertically and, likewise, our stages are grouped into one of three categories shown below:

- 1) Horizontal Mounting Surface /Horizontal Base
- 2) Vertical Mounting Surface /Horizontal Base (part number suffix: “L”)
- 3) Vertical Mounting Surface /Vertical Base (part number suffix: “Z”)

Use this selection guide to identify the z-axis stage that best suits your application need.

TYPE	<b>Vertical Travel (Z-Axis) Stages Options</b>			
				
	<b>Main Advantage →</b>	<b>Highest Load Capacity</b>	<b>Smallest Foot Print</b>	<b>Slimmest Vertical Profile</b>
BEARING / MATERIAL	Precision (EX)c™ Bearing, Hardened Black and Stainless Steel Stages	<a href="#">TSD-3 Series</a> <a href="#">TSD-UD Series<sup>1</sup></a> <a href="#">TSDS-3 Series<sup>2</sup> (V6)</a>	<a href="#">TSD-L Series</a> <a href="#">TSDS-3L Series<sup>2</sup> (V6)</a>	<a href="#">TSD-SZ Series</a> <a href="#">TSD-LONG-SZ Series</a>
	Crossed Roller, Aluminum Stages	–	<a href="#">TAM-3L Series</a>	–
	Ball Bearing, Aluminum Stages	–	<a href="#">TADC-L Series</a>	<a href="#">TADC-SZ Series</a>
	Dove Tail, Brass and Aluminum Stages	<a href="#">TASB-3 Series</a> <a href="#">TAR-3D</a>	<a href="#">TAR-L</a> <a href="#">TARW-L</a>	–
	Linear Bearing, Aluminum Stages	–	<a href="#">LSV Series</a>	–

1. TSD-UD stages are configured to be mounted upside down
2. TSDS series stages are made from stainless steel and prepared for use in 1E-6 Torr vacuum environments.